

OZAK ●●● LHW, MLHW series (Grease Nipple)

Aluminum linear housing with grease nipple which is installed two linear bearings and also have Non-Rust models (M Series)

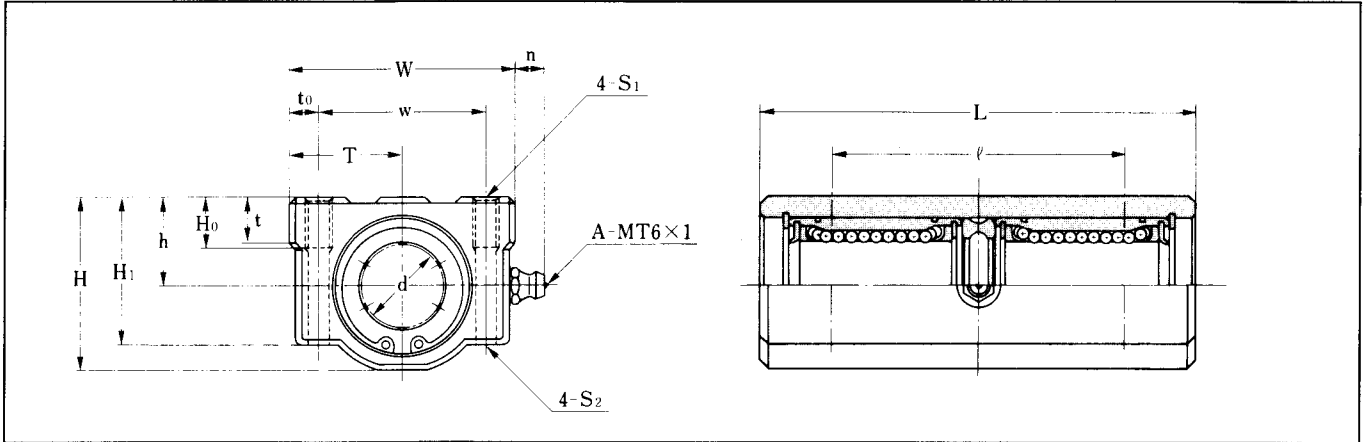
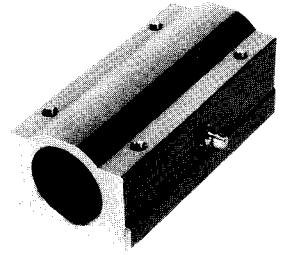
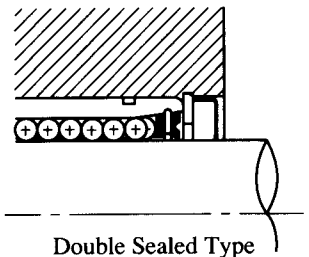
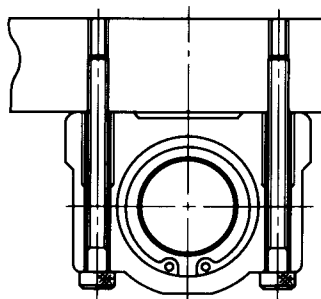
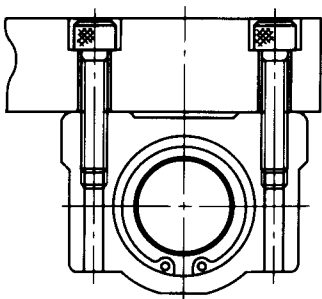


Table 51 : LHW, MLHW Series Dimensions Table

Standard	Major Dimensions (mm)													Setting Bolts		Model No. of Linear Bearing	Weight (kgf)	Basic Load Ratings	
	Non-Rust	d	h ^{±0.02}	W	w	n	T ^{±0.02}	t ₀	H	H ₁	H ₀	t	L	φ	S ₁			S ₂	C
LHW16 MLHW16	16	19	50	36	7	25	7	37	31.5	12	9	96	60	M5	M4	L16-U×2 ML16-U×2	0.44	92	152
LHW20 MLHW20	20	21	54	40	7	27	7	41	35	12	11	108	70	M6	M4	L20-U×2 ML20-U×2	0.57	104	206
LHW25 MLHW25	25	26	76	54	6.5	38	11	51	42.5	18	12	144	100	M8	M6	L25B-U×2 ML25-U×2	1.38	208	386
LHW30 MLHW30	30	30	78	58	6.5	39	10	57	48.5	18	15	156	110	M8	M6	L30A-U×2 ML30-U×2	1.63	296	452
LHW35 MLHW35	35	34	92	70	6.5	46	11	65	54	24	20	170	120	M10	M8	L35-U×2 ML35-U×2	2.37	334	500
LHW40 MLHW40	40	40	102	80	6.5	51	11	75	64	25	22	190	140	M10	M8	L40-U×2 ML40-U×2	3.90	560	800



Double Sealed Type