

Numbering

LGR20 **-2** **× 880**

Type Rail length

Number of bearings for one rail

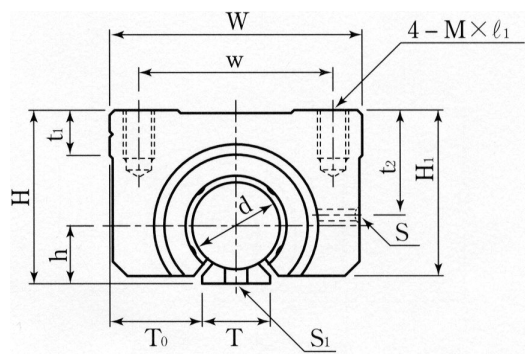
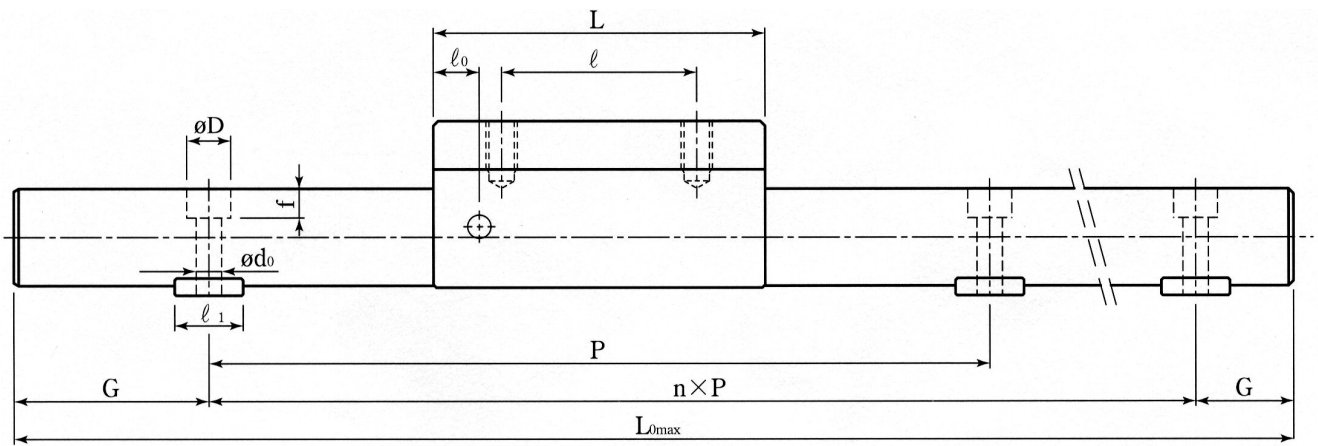


Table3: LGR series dimensions table

Model No.	Ass'y Dimensions				Bearing Dimensions							
	d	h	H	T ₀	H ₁	W	L	w	l	t ₁	M×l ₁	t ₂
LGR8 MLGR8												
LGR10 MLGR10	10	6	18	9.5	17.2	26	34	20	20	5	M3×5	10.9
LGR12 MLGR12												
LGR16 MLGR16												
LGR20 MLGR20	20	11	30	15.5	28	44	50	32	36	7.5	M5×8	17
LGR25 MLGR25												
LGR30 MLGR30												

Table4: Standard guide rail length

Model No.	Rail										
	100	200	300	400	500	600	700	800	900	1000	
LGR8											
LGR10 LGR12	120	280	440	600	760	920					
LGR16 LGR20 LGR25	160	280	400	520	640	760	880				
LGR30											



unit:mm

Guide Rail Dimensions											Basic Road Ratings		Bearing's Mass (kg)	Rail's Mass (kg/m)
l_0	S	T	l_1	P	G	S_1	$D \times d_0 \times f$	Setting Bolt	Maximum Bolting Torque (N·cm)	L_{0max}	C (N)	C_0 (N)		
4.7	$\phi 1.2$	7	7	80	20	$\phi 2.3$	$4.5 \times 2.6 \times 3$	M2	49	1000	326	425	0.07	0.6
5.9	$\phi 3$	13	13	120	20	$\phi 5.5$	$9.5 \times 6 \times 8.5$	M5	588	2000	801	1008	0.27	2.5

unit:mm

Length												Maximum Length
1100	1200	1300	1400	1500	1600	1700	1800	1900	2000			
												1000
												1000
1120	1240	1360	1480	1600	1720	1840	1960					2000
												2000