

OZAK ●●● LFW, MLFW series

Two linear bearings are installed in a flanged aluminum housing which is suitable application for vertical motion and acting moment load. We have two flange models, round type and compact square type and also have with grease nipple and Non-Rust models (M type).

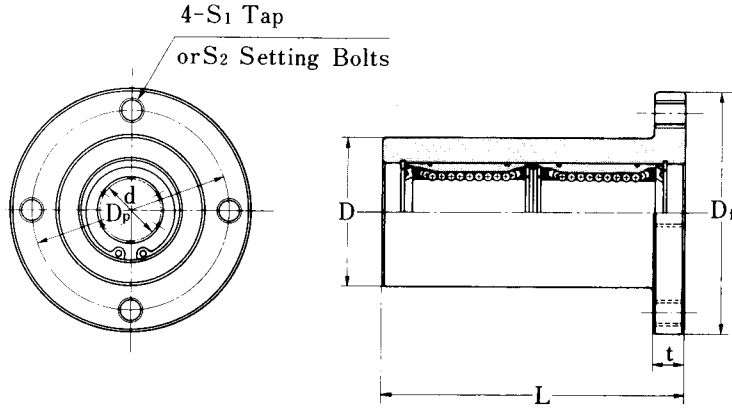
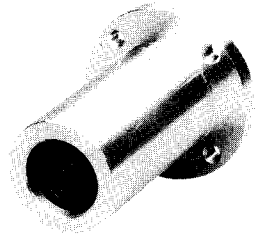


Table 35 : LFW, MLFW Series Dimensions Table

Standard Non-Seal Both Sides Sealed	Non-Rust Non-Seal Both Sides Sealed	Major Dimensions (mm)									Number of Ball Circuits	Model No. of Linear Bearing	Weight (kgf)	Basic Load Ratings		
		d	Dh _s	L	Df	t	Dp	S ₁	S ₂	C				C ₀		
LFW6 LFW6-UU	MLFW6 MLFW6-UU	6	0 -0.009	20	46	38	7	30	M5	M4	4	L6-U×2 ML6-U×2	0.05	14	22	
LFW8 LFW8-UU	MLFW8 MLFW8-UU	8		24	56	44	7	35	M5	M4	4	L8B-U×2 ML8-U×2	0.09	22	32	
LFW10 LFW10-UU	MLFW10 MLFW10-UU	10		30	68	52	8	42	M5	M4	4	L10-U×2 ML10-U×2	0.16	40	60	
LFW12 LFW12-UU	MLFW12 MLFW12-UU	12		34	70	54	8	45	M5	M4	4	L12-U×2 ML12-U×2	0.19	56	86	
LFW13 LFW13-UU	MLFW13 MLFW13-UU	13		34	70	54	8	45	M5	M4	4	L13-U×2 ML13-U×2	0.20	60	104	
LFW16 LFW16-UU	MLFW16 MLFW16-UU	16		42	88	72	9	58	M8	M6	5	L16-U×2 ML16-U×2	0.37	92	152	
LFW20 LFW20-UU	MLFW20 MLFW20-UU	20		48	98	78	10	64	M8	M6	5	L20-U×2 ML20-U×2	0.51	104	206	
LFW25 LFW25-UU	MLFW25 MLFW25-UU	25		0 -0.010	58	134	90	11	76	M8	M6	6	L25B-U×2 ML25-U×2	1.02	208	386
LFW30 LFW30-UU	MLFW30 MLFW30-UU	30			65	144	104	12	86	M10	M8	6	L30A-U×2 ML30-U×2	1.44	296	452
LFW35 LFW35-UU	MLFW35 MLFW35-UU	35			72	158	112	13	94	M10	M8	6	L35-U×2 ML35-U×2	1.70	334	500
LFW40 LFW40-UU	MLFW40 MLFW40-UU	40	0 -0.012	84	178	124	14	106	M10	M8	6	L40-U×2 ML40-U×2	2.75	560	800	
LFW50 LFW50-UU	MLFW50 MLFW50-UU	50		102	224	150	15	128	M12	M10	6	L50A-U×2 ML50A-U×2	4.49	804	1,294	
LFW60 LFW60-UU		60	0 -0.015	120	244	170	15	146	M12	M10	6	L60-U×2	6.40	982	1,450	

* It's possible to set felt seals on both sides (Double sealed Type)