

Table 92 : GA-R Series Dimensions Table

Units : mm

Model No.	d	H <sup>±0.2</sup>	T	t	l <sub>1</sub>	l <sub>2</sub>	S	θ°	T <sub>0</sub>	G	P	Weight kgf/m
<b>GA16R</b>	16	33	28	5	8	15	φ5.5	50	9	50	100	2.38
<b>GA20R</b>	20	37	30	5	10	15	φ5.5	50	9	50	100	3.37
<b>GA25R</b>	25	44.5	36.5	5	12.5	17.5	φ6.5	50	9	50	100	4.91
<b>GA30R</b>	30	52	41	7	15	20	φ6.5	50	10	50	100	7.00

\* Materials : Shaft SUJ-2, Supporter Aluminum

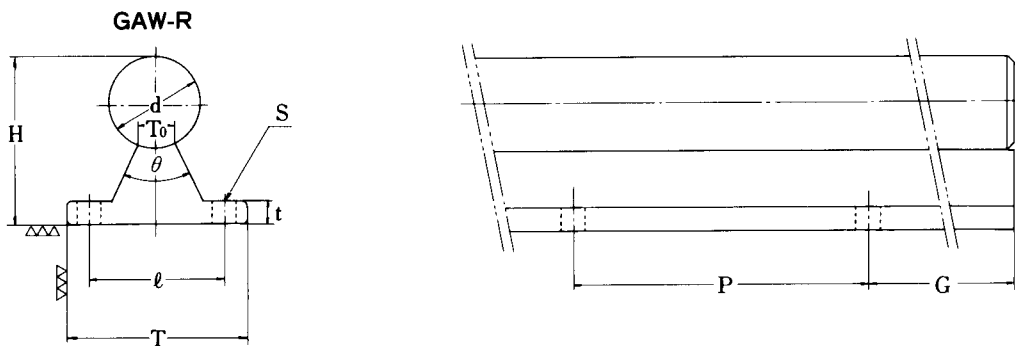


Table 93 : GAW-R Series Dimensions Table

Units : mm

Model No.	d	H <sup>±0.02</sup>	T	t	l	S	θ°	T <sub>0</sub>	G	P	Weight kgf/m
<b>GAW16R</b>	16	33	40	5	30	φ5.5	50	9	50	100	2.59
<b>GAW20R</b>	20	37	40	5	30	φ5.5	50	9	50	100	3.49
<b>GAW25R</b>	25	44.5	48	5	35	φ6.5	50	9	50	100	5.27
<b>GAW30R</b>	30	52	52	7	40	φ6.5	50	10	50	100	7.38

\* Materials : Shaft SUJ-2, Supporter Aluminum