

QZAK ●●● CHW series (Miniature)

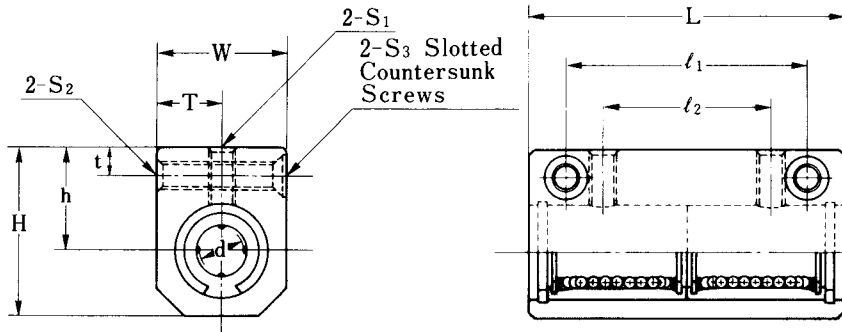
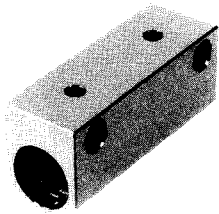
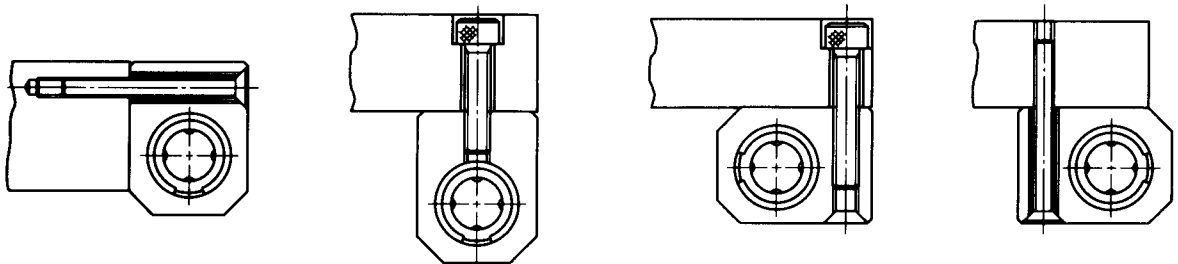


Table 46 : Miniature CHW Series Dimensions Table

Model No.	Major Dimensions (mm)								Setting Bolts			Model No. of Linear Bearing	Weight (kgf)	Basic Load Ratings			
	d	H	$h^{+0.02}$	t	W	$T^{+0.02}$	L	\varnothing_1	\varnothing_2	S ₁	S ₂			S ₃	C	C ₀	
CHW3 MCHW3	3	0 -0.008	14	9	3	10	5	24	18	10	M3	M3	M2	L3×2 ML3×2	0.010	4	8
CHW4 MCHW4	4		16	10	3	12	6	28	22	14	M3	M3	M2	L4×2 ML4×2	0.016	6	12
CHW5 MCHW5	5		18	11	3	14	7	34	26	18	M3	M3	M2	L5×2 ML5×2	0.024	9	18



Most compact aluminum linear housing which installed one linear bearing called CH series and two linear bearings called CHW series, we have also Non-Rust models (M series). Setting method is designed very flexible.

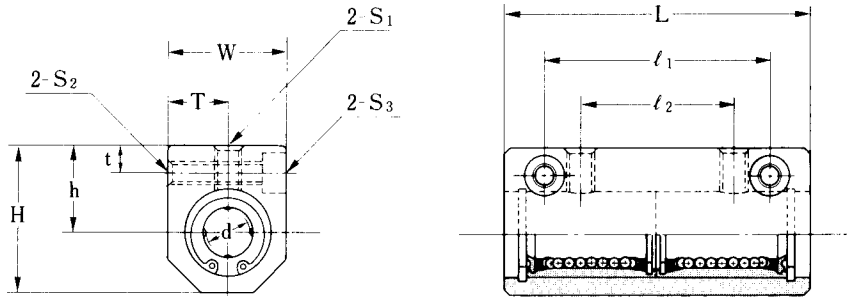
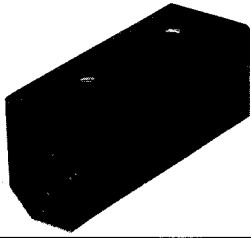


Table 47 : CHW, MCHW Series Dimensions Table

Standard Non-Rust	Major Dimensions (mm)									Setting Bolts			Model No. of Linear Bearing	Weight (kgf)	Basic Load Ratings		
	d	H	$h^{\pm 0.02}$	t	W	$T^{\pm 0.02}$	L	ℓ_1	ℓ_2	S_1	S_2	S_3			C	C_0	
CHW6 MCHW6	6	0 -0.009	22	14	5	16	8	46	30	20	M4	M4	M3	L6-U×2 ML6-U×2	0.04	14	22
CHW8 MCHW8	8		26	16	5	20	10	56	42	30	M5	M4	M3	L8B-U×2 ML8-U×2	0.07	22	32
CHW10 MCHW10	10		32	19	6	26	13	68	50	36	M6	M5	M4	L10-U×2 ML10-U×2	0.13	40	60
CHW12 MCHW12	12		34	20	6	28	14	70	50	36	M6	M5	M4	L12-U×2 ML12-U×2	0.16	56	86
CHW13 MCHW13	13		36	21	6	30	15	74	54	40	M6	M5	M4	L13-U×2 ML13-U×2	0.20	60	104
CHW16 MCHW16	16		42	24	6	36	18	86	66	52	M6	M5	M4	L16-U×2 ML16-U×2	0.32	92	152
CHW20 MCHW20	20	0 -0.010	49	28	7	42	21	96	72	58	M6	M6	M5	L20-U×2 ML20-U×2	0.49	104	206
CHW25 MCHW25	25		61	35	9	52	26	132	100	80	M8	M8	M6	L25B-U×2 ML25-U×2	1.01	208	386
CHW30 MCHW30	30		67	38	9	58	29	144	110	90	M8	M8	M6	L30A-U×2 ML30-U×2	1.35	296	432
CHW35 MCHW35	35	0 -0.012	78	45	12	66	33	156	120	96	M10	M10	M8	L35-U×2 ML35-U×2	1.93	334	500
CHW40 MCHW40	40		88	50	12	76	38	176	130	106	M10	M10	M8	L40-U×2 ML40-U×2	2.81	560	800

